

ACS-SWITCH-RANGE®

DISTANCE MEASUREMENT



USE CASES



LEVEL DETECTION

Management of containers fill level : dumpsters, bins, tanks... Notifications when the thresholds are exceeded.



PROCESS IMPROVEMENT

Monitors a piece of equipment, a frame offset or a moving mechanical element. ACS-Switch-Range fits into industrial and tertiary process improvement.



BIKE STATIONS MONITORING

Presence detection of bicycles at bike stations. The autonomous, wireless optical reflection sensor detects the presence of a bicycle and notifies its arrival and departure.

PRODUCT HIGHLIGHTS

PLUG & PLAY : AUTONOMOUS AND WIRELESS

Communicating through an LPWAN network, the ACS-Switch-Range is autonomous and wireless.

AGILE SETTINGS

The product can be configured to adapt to its environment and provides reliable measurements. A simple initialization adapts the product to a specific environment.

ADAPTED ALGORITHMS for a large spectrum of use cases.

TIME-STAMPING AND DATALOGGING of events (+3000)

REPLACEABLE BATTERY

OPTIONS AVAILABLE :

- Time-Of-Flight optical reflection sensor, Measurement from 0 to 4m.
- Ultrasonic sensor - Measurement from 0 to 4m.
- Personalization on request :
 - Case color and labelling,
 - Specific features.



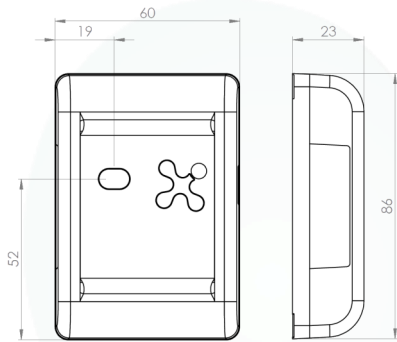
CLOVER-NET TECHNOLOGY

Real-time two-way communication protocol to facilitate the installation and setting of sensors, collection of time-stamped data, automatic inventories, OTA updates...

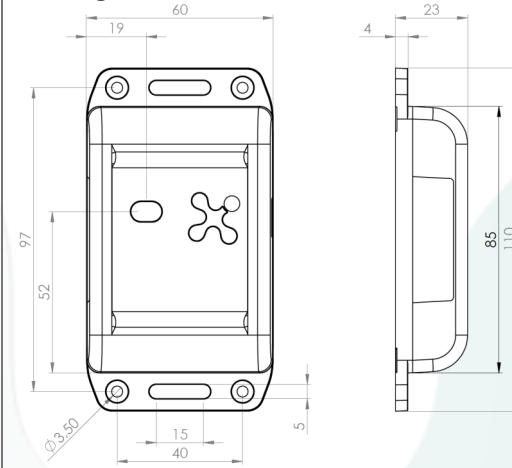
SPECIFICATIONS

Mechanical specificities

Without flanges



With flanges



Fastening system

Screw
Magnet (optional)
Glue

Certifications

CE, EN 300-220

Physical characteristics

Battery	Lithium 3.6Ah replaceable
Material	ABS PC V0 UL94
Weight	98g
IP index	IP54 or IP66 (with seal)
IK index	IK07 or IK08 (with seal)
Operating temperature	-20°C to 70°C
Storage temperature	-40°C to 80°C
Humidity	< 95% without condensation

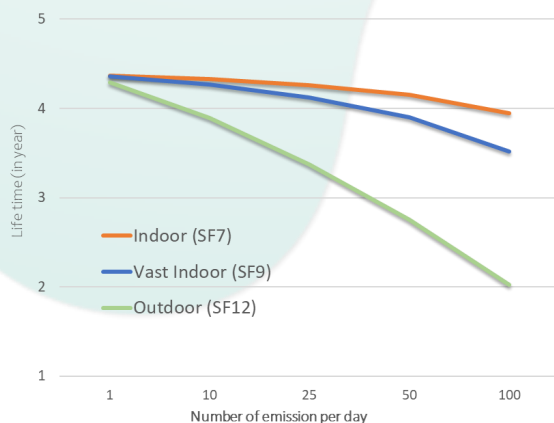


CAUTION: THIS PRODUCT USES LITHIUM BATTERY.
FOR YOUR SAFETY, PLEASE CHECK OUR WEBSITE.

Communication

LoRaWAN	Class A
	EU868, 915US, AU915, AS923
	Private and public networks
	OTAA and ABP
	Power transmission : 14dBm (EU) to 20dBm max
	Operator compatible : Objenious, Orange ...
	Network core providers : Actility, Orbiwise, TTN, Lorient...
SigFox (option)	RC1, RC2, RC4
CloverNet	Broadcast, multicast, point-to-point

Battery life



Use case

Optical reflective sensor
Life frame every 24 hours
Measure every 15s
Alarm emission on exceeding threshold

Data transmitted

Distance
Alarm in case of change of status or if it exceeds the threshold
Threshold crossing counter
History of time stamps
Activity data (battery, ...)
Temperature level
Settings configuration by downlink

INEO-SENSE

125 Rue de L'hostellerie,
Immeuble ELLIPSIS, Niv 4 Porte 12
30 900 Nîmes — France

Phone : +33 466 276 495
Web : www.ineo-sense.com
contact@ineo-sense.com

© 2020 Ineo-Sense. All rights reserved. Clover-Net, Clover-Sense, ACS-Switch-RANGE, are trademarks of Ineo-Sense company. All other brands mentioned are the property of their respective holders. This is non-contractual document, and may be modified without no-