

# TRK-TRACER-GPS®

## AUTONOMOUS LOCATION AND GPS(GNSS)



## USE CASES



### MANAGING, LOCATING AND SECURING YOUR EQUIPMENT FLEETS

TRK-Tracer-GPS allows you, in real time, to know the location of all your equipment (work engine, welding station, dumpster, compressor...); in addition, its motion sensor will allow you to know its usage rates.

Thanks to this remote management, you are able to make resource allocation in line with your needs, apply a billing to use and optimize your maintenance rounds for the dispatching of your equipment.



### TRACKING OF ASSETS, CONTAINERS AND SENSITIVE PARCELS

Geolocates of your assets and controls storage temperature with an integrated temperature sensor. Records all events during the journey. Reduces risk of theft.

## PRODUCT HIGHLIGHTS

### CONFIGURABLE AND DYNAMICS GPS

- Motion start or motion stop,
- Temperature threshold.

### TILT, SHOCK, ANTI TEARING

### LOCATION INDOOR IN ADDITION TO OUTDOOR WITH THE TRK-ZON, OUR LoRa BEACONS

### 3D MOTION SENSOR

### HIGH BRILLIANCE BICOLOR LED:

- Activity and events alert,
- Pick-to-light identification.

### TIME-STAMPING AND DATALOGGING OF EVENTS (+3000)

### USAGE RATE MONITORING

### OPTIMIZATION OF BATTERY LIFE > 5 YEARS

### GNSS ANTENNA : GPS, GALILEO, GLONASS, QZSS

### REPLACEABLE BATTERY

### AVAILABLE OPTIONS :

Customization on request:

- Case color and labelling,
- Specific business features.

### CLOVER-NET TECHNOLOGY

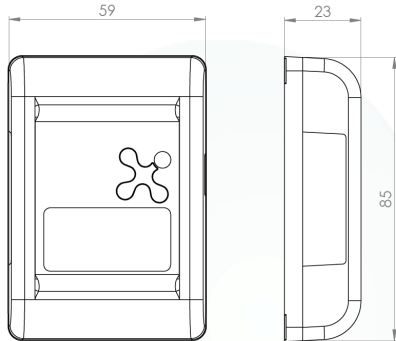


Real-time two-way communication protocol to facilitate the installation and setting of sensors, collection of time-stamped data, automatic inventories, OTA updates...

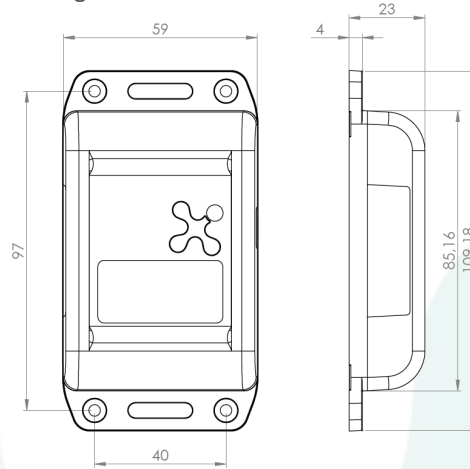
# SPECIFICATIONS

## Mechanical specificities

Without flange



With flanges



## Fastening system

Screw

Magnet (optional)

Glue

## Certifications

CE, EN 300-220

## Physical Characteristics

Battery	Lithium 3.6Ah replaceable
Material	ABS PC V0 UL94
Weight	107g
IP index	IP66
IK index	IK08 as an option
Operating temperature	-20°C to 70°C
Storage temperature	-40°C to 80°C
Humidity	< 95% without condensation

## Communication

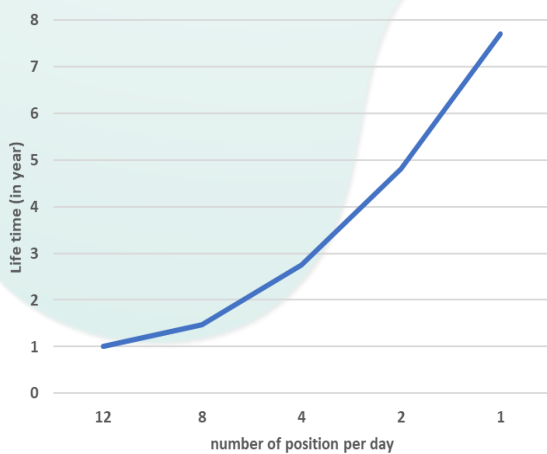
LoRaWAN	Class A
	EU868, 915US, AU915, AS923
	Private and Public networks
	OTAA and ABP
	Power transmission : 14dBm (EU) 20dBm max
	Operator compatible : Objenious, Orange...
	Core network providers : Actility, Orbiwise, TTN, Lorient ...
SigFox (option)	RC1, RC2, RC4
CloverNet	Broadcast, multicast, point-to-point



**CAUTION: THIS PRODUCT USES LITHIUM BATTERY.**

**FOR YOUR SAFETY, PLEASE CHECK OUR WEBSITE.**

## Battery life



## Use case

Acquisition time : 60 s

SF12 communication

## Data transmitted

- GPS/GNSS coordinates
- Recording geolocation
- Motion sensor status
- Events on shock/tilt/temperature
- Usage rate monitoring
- Zone detection
- Change of zone events
- Track record of zone crossing
- Battery and temperature level
- Product configuration by downlink

## INEO-SENSE

125 Rue de L'hostellerie,  
 Immeuble ELLIPSIS, Niv 4 Porte 12  
 30 900 Nîmes — France

Phone : +33 466 276 495  
 Web : [www.ineo-sense.com](http://www.ineo-sense.com)  
[contact@ineo-sense.com](mailto:contact@ineo-sense.com)

© 2020 Ineo-Sense. All rights reserved. Clover-Net, Clover-Sense, TRK-Traceur-GPS, are trademarks of Ineo-Sense company. All other brands mentioned are the property of their respective holders. This is non-contractual document, and may be modified without notice.